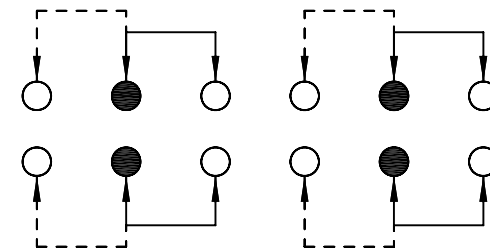
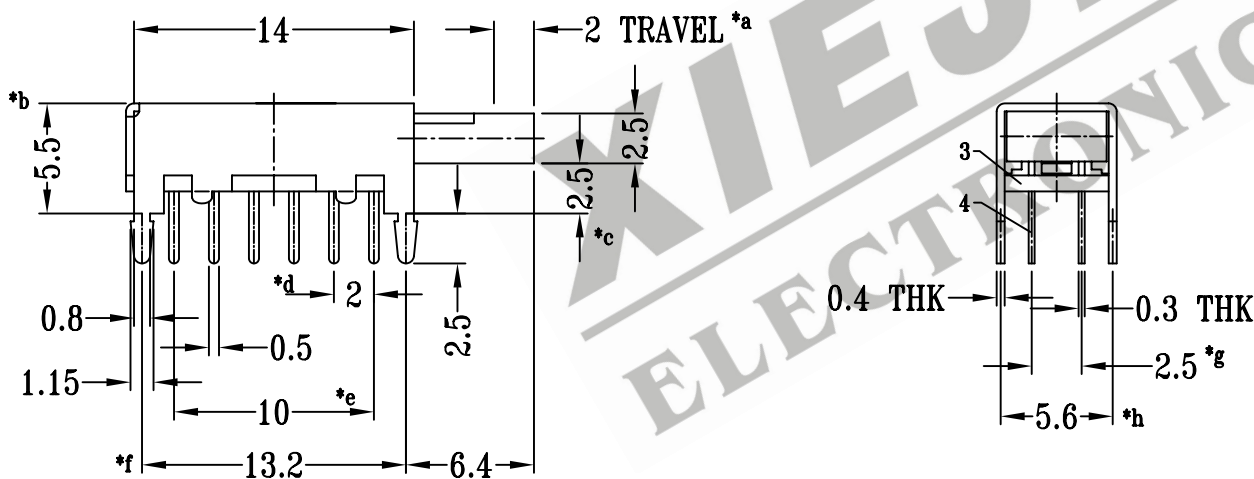
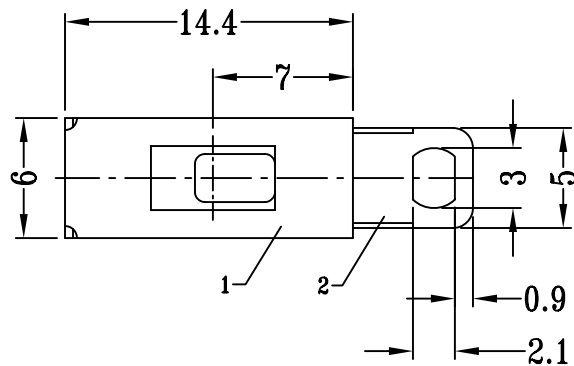
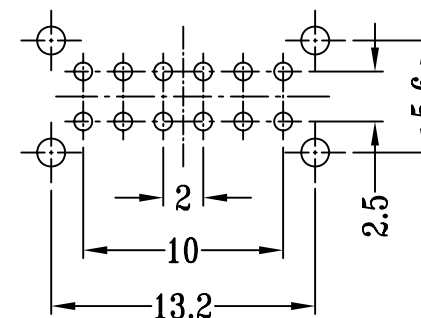


CAD FILE:



SCHEMATIC (NON-SHORTING)



P.C.B LAYOUT

注：“\*”表示关键尺寸（8个）

8					TOLERANCE	SHENZHEN XIEJIA ELECTRONICS CO.,LTD.				
7					UNLESS SPECIFIED					
6					WITHIN: 1.5±0.1mm					
5	CONTACT CLIP	PBS	4	Ag CLAD	OVER : 1.5±0.2mm	ISSUE	DATE	DESCRIPTIONS		APPD.
4	TERMINAL	BRASS STRIP	12	Ag PLATED OVER Ni PLATED	TITLE : PUSH SWITCH	UNIT : MM		DRWG NO.: XJ-DR-PS42D01-00		
3	BASE	PHENOLIC RESIN	1	NATURAL	MODEL: PS-42D01	SCALE: 5:2		DWN.	ZHOUYU	2005-7-23
2	KNOB	PBT+F.G+94V0	1	WHITE	ALL MATERIALS MUST BE COMPLIANT TO ROHS			CHK'D	FANGYING	2005-7-23
1	FRAME	STEEL STRIP	1	Ni PLATED				APPD.	KANGXINAN	2005-7-23
NO.	PART NAME	MATERIAL	Q'TY	FINISHING						